

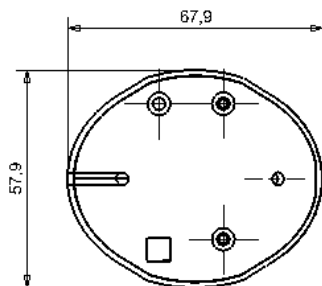
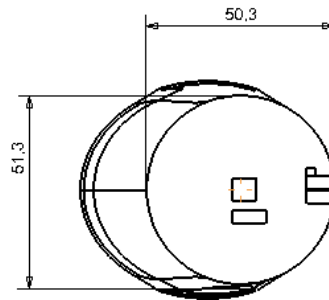
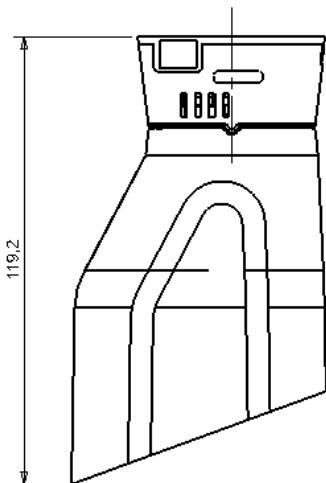
SA1022

High Security Solution for Phone&Tablet

- Adjustable security clamp
- Alarmed charging port cable
- Provides effective exposure of the product
- Visible LED indicator



Product dimensions
(mm)



Standalone SA1022

Function	Description
Alarm	Audible alarm activated when Mobile phone improperly removed.(still available without external power supply)
Built-in battery	Back-up battery design, support alarm function without power adapter
LED indicator	Flashing slowly when in normal working status,flashing rapidly when alarming.
2.4G remote control	2.4G remote control, no direction restriction ,more reliable; password protection optional.
Alarm volume	>110dB

Accessories



Micro USB cable CH9003



GR006—For Phones
GR008—For Tablets



Lightning Cable CH9002



Power Supply



USB Type-C cable CH9008



Remote control KE7000

Stickers for SA1022

Top sensor sticker for SA1022 **ST8031**

Base sensor sticker for SA1022 **ST8032**